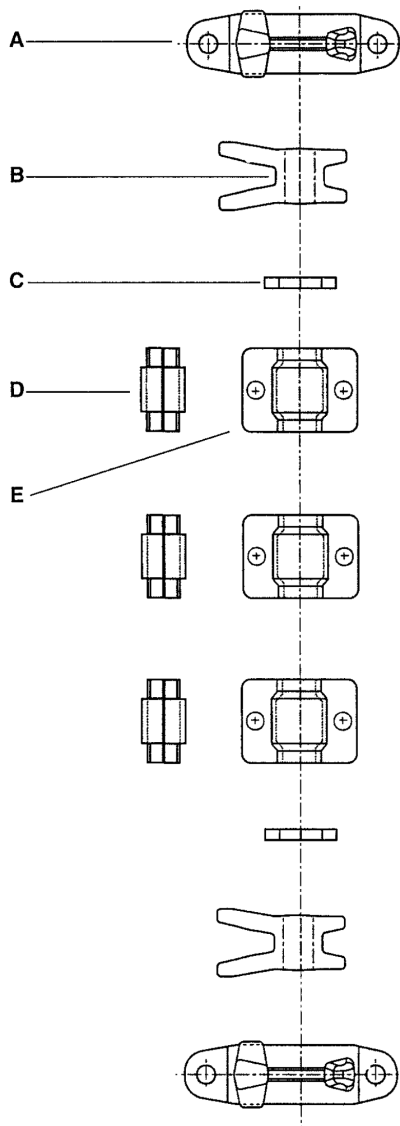


10 Latches, Handles



1011160.000 External rod latch \varnothing 16 mm - set

Material: stainless steel

Weight: 0.930 kg

1012160.000 External rod latch \varnothing 16 mm - set

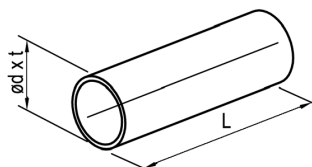
Material: galvanized steel

Weight: 0.930 kg

Spare parts

TT-number	Name	Material	Number of pieces in the set	Weight kg/pc	Position
1011160.101	Holder	stainless steel	2	0.19	A
1011160.201	Hook		2	0.13	B
1011160.500	Washer	stainless steel	2	0.01	C
1011160.300	1/2 inserts	nylon	6	0.006	D
1011160.400	Flange	stainless steel	3	0.095	E

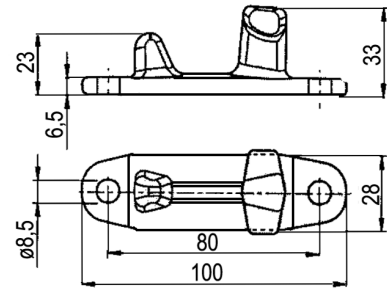
TT-number	Name	Material	Number of pieces in the set	Weight kg/pc	Position
1012160.100	Holder	galvanized steel	2	0.19	A
1012160.200	Hook		2	0.13	B
1012160.300	Washer	galvanized steel	2	0.01	C
1011160.300	1/2 inserts	nylon	6	0.006	D
1012160.500	Flange	galvanized steel	3	0.095	E



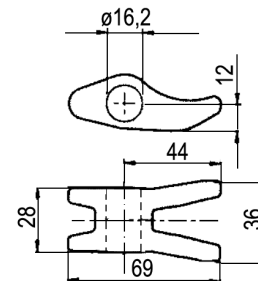
TT-number	Name	Material	Weight kg/pc
1011164.000	Pipe \varnothing 16 x 2 - 3000 mm	stainless steel	1.800
1012164.000	Pipe \varnothing 16 x 2 - 2500 mm	galvanized steel	1.700

EXTERNAL ROD LATCHES - $\varnothing 16$ mm

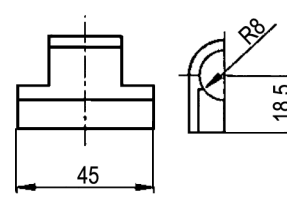
TT-number	Name	Material	Weight kg/pc
1011160.101	Holder	stainless steel	0.19
1012160.100	Holder	galvanized steel	



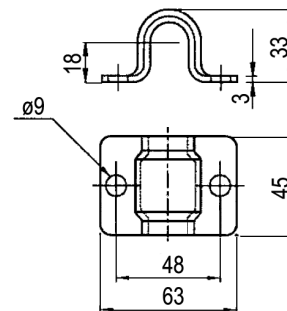
TT-number	Name	Material	Weight kg/pc
1011160.201	Hook	stainless steel	0.13
1012160.200	Hook	galvanized steel	



TT-number	Name	Material	Weight kg/pc
1011160.300	1/2 inserts	nylon	0.006



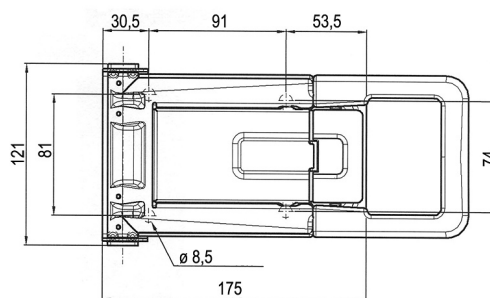
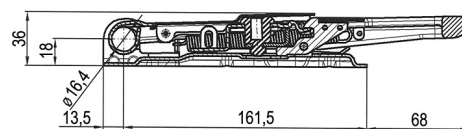
TT-number	Name	Material	Weight kg/pc
1011160.400	Flange	stainless steel	0.095
1012160.500	Flange	galvanized steel	



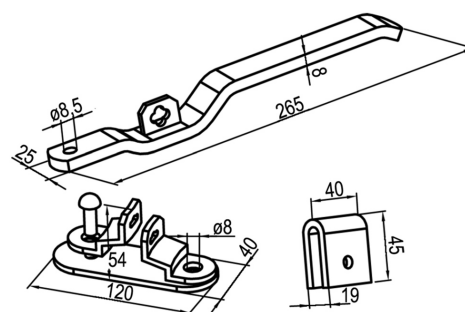
EXTERNAL ROD LATCHES - \varnothing 16 mm



TT-number	Name	Material	Weight
1011161.100	External latch \varnothing 16 mm - lockable with plastic handle	stainless steel	0.96



TT-number	Name	Material	Weight
1012163.000	Lever with lock for latch \varnothing 16 mm - set	galvanized steel	0.8





1011220.001

External rod latch \varnothing 22 mm - set

Material: stainless steel

Weight: 1.900 kg

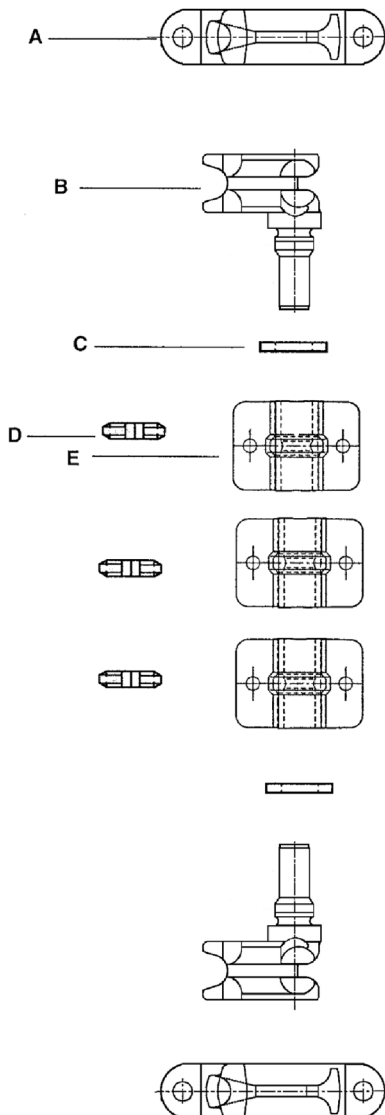
1012220.001

External rod latch \varnothing 22 mm - set

Material: galvanized steel

Weight: 1.900 kg

Spare parts



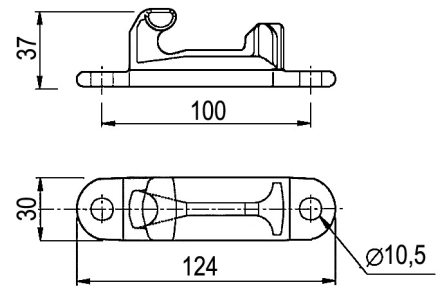
TT-number	Name	Material	Number of pieces in the set	Weight kg/pc	Position
1011240.100	Holder	stainless steel	2	0.350	A
1011240.200	Hook		2	0.330	B
1011220.300	Washer		2	0.032	C
1011220.400	Insert	nylon	3	0.005	D
1011220.500	Flange	stainless steel	3	0.140	E

TT-number	Name	Material	Number of pieces in the set	Weight	Position
1012240.100	Holder	galvanized steel	2	0.350	A
1012240.200	Hook		2	0.330	B
1012220.300			2	0.032	C
1011220.400	Insert	nylon	3	0.005	D
1012220.500	Flange	galvanized steel	3	0.140	E

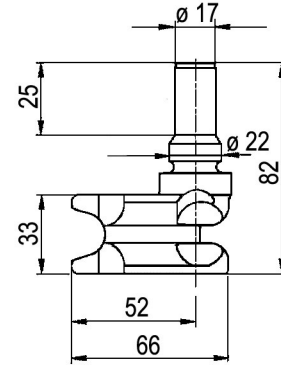
TT-number	Name	Material	Weight kg/pc
1011229.000	Pipe \varnothing 22 x 2 - 3000 mm	stainless steel	2.900
1012229.000	Pipe \varnothing 22 x 2 - 3000 mm	galvanized steel	

EXTERNAL ROD LATCHES - \varnothing 22 mm

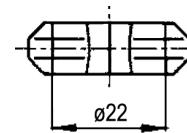
TT-number	Name	Material	Weight kg/pc
1011240.100	Holder	stainless steel	0.350
1012240.100	Holder	galvanized steel	



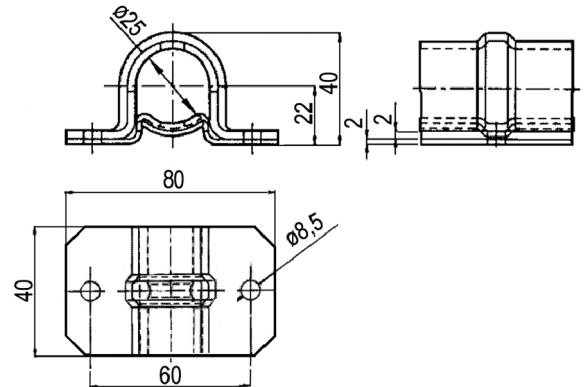
TT-number	Name	Material	Weight kg/pc
1011240.200	Hook	stainless steel	0.330
1012240.200	Hook	galvanized steel	



TT-number	Name	Material	Weight kg/pc
1011220.400	Insert	nylon	0.005



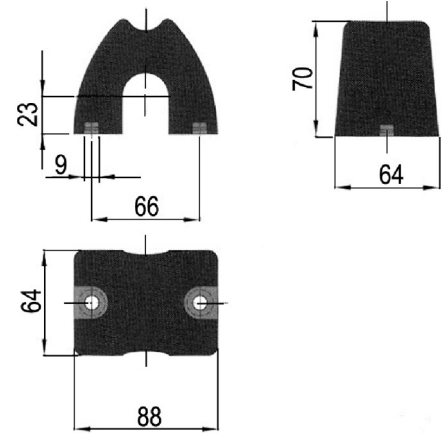
TT-number	Name	Material	Weight kg/pc
1011220.500	Flange	stainless steel	0.140
1012220.500	Flange	galvanized steel	



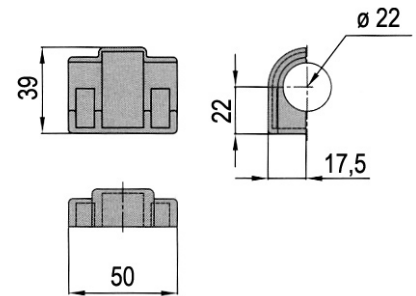
EXTERNAL ROD LATCHES - \varnothing 22 mm



TT-number	Name	Material	Weight kg/pc
1011221.000	Rubber stop Application for external rod latches \varnothing 22 and \varnothing 27 mm	rubber	0.22



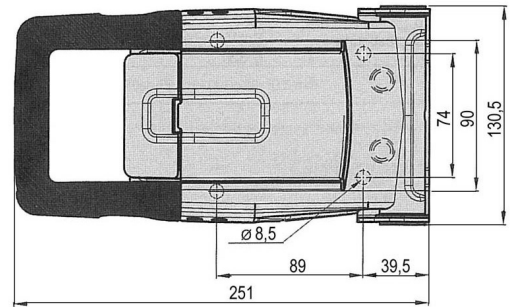
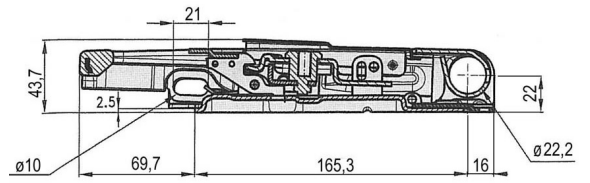
TT-number	Name	Material	Weight kg/pc
1011221.400	Nylon case For external rod latches \varnothing 22 mm, colour white	nylon	0.22



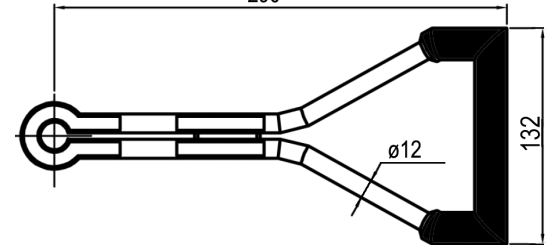
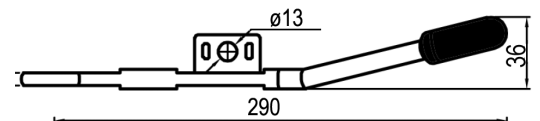
EXTERNAL ROD LATCHES - \varnothing 22 mm



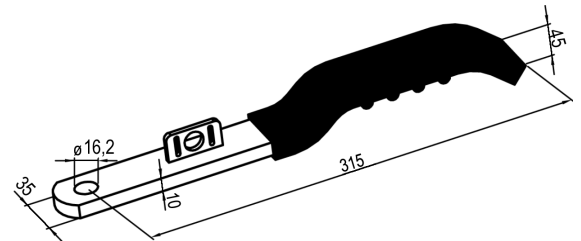
TT-number	Name	Material	Weight kg/pc
1011222.100	External latches \varnothing 22 mm - lockable	stainless steel	1.450

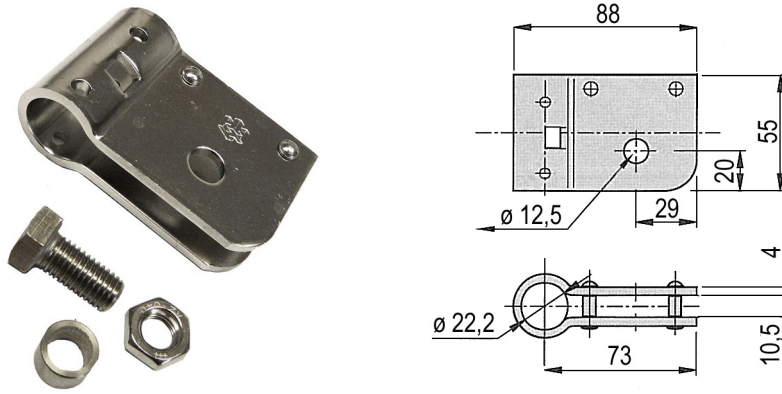


TT-number	Name	Material	Weight kg/pc
1011224.000	Lever DELTA	stainless steel	0.690
1012224.000	Lever DELTA	galvanized steel	

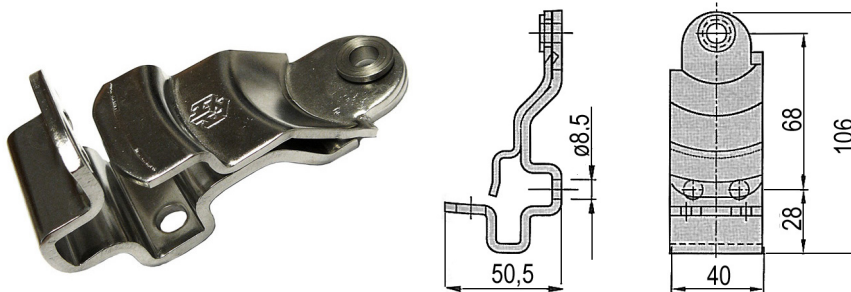


TT-number	Name	Material	Weight kg/pc
1011227.000	Flat lever with plastic	stainless steel	0.995
1012227.000	Flat lever with plastic	galvanized steel	

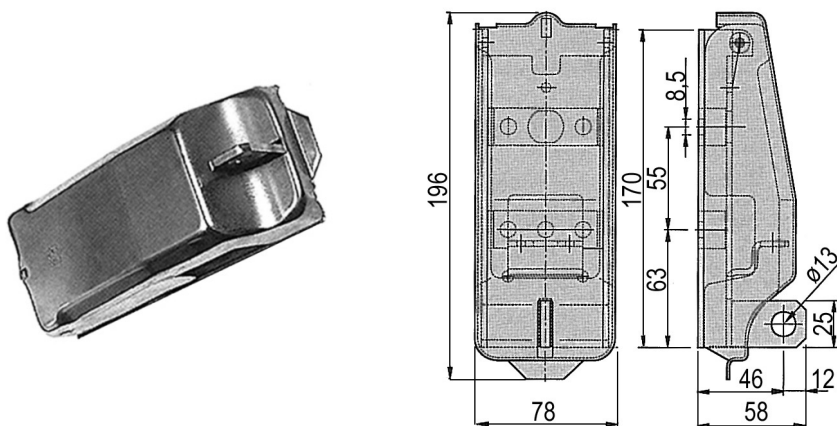


EXTERNAL ROD LATCHES - $\varnothing 22$ mm

TT-number	Name	Material	Weight kg/pc
1011228.050	Pipe sleeve $\varnothing 22$	stainless steel	0.32
1012228.050	Pipe sleeve $\varnothing 22$	galvanized steel	



TT-number	Name	Material	Weight kg/pc
1011228.100	Lever lock	stainless steel	0.25
1012228.100	Lever lock	galvanized steel	

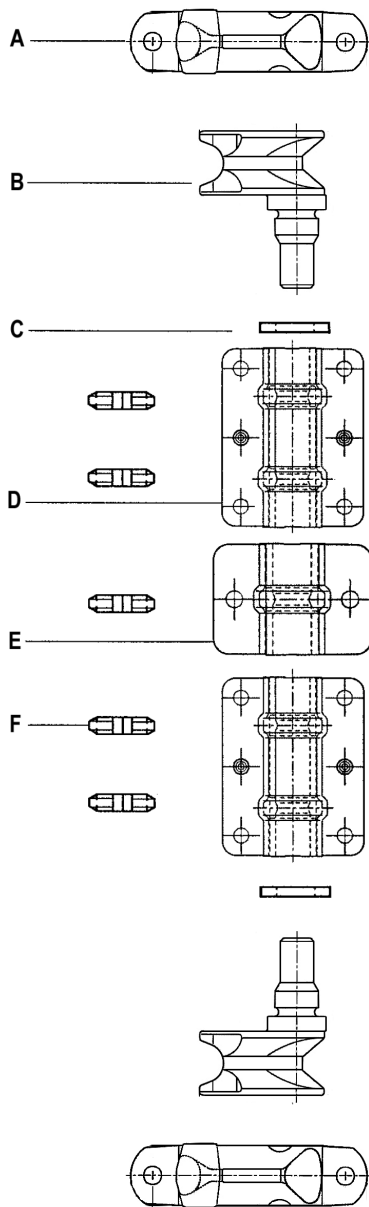


TT-number	Name	Material	Weight kg/pc
1011230.001	TIR lock	stainless steel	0.72
1012230.001	TIR lock	galvanized steel	



1011270.001
External rod latch ø 27 mm - set
 Material: stainless steel
 Weight: 1.900 kg

1012270.001
External rod latch ø 27 mm - set
 Material: galvanized
 Weight: 1.900 kg



Spare parts

TT-number	Name	Material	Number of pieces in the set	Weight kg/pc	Position
1011270.101	Holder	stainless steel	2	0.52	A
1011270.201	Hook		2	0.53	B
1011270.301	Large flange		2	0.44	D
1011270.400	Small flange		1	0.25	E
1011270.500	Washer		2	0.027	C
1011270.600	Insert		nylon	5	0.002

TT-number	Name	Material	Number of pieces in the set	Weight	Position
1012270.101	Holder	galvanized steel	2	0.52	A
1012270.201	Hook		2	0.53	B
1012270.301	Large flange		2	0.44	D
1012270.400	Small flange		1	0.25	E
1012270.500	Washer		2	0.027	C
1012270.600	Insert	nylon	5	0.002	F

TT-number	Name	Material	Weight
1011273.000	Pipe ø 27 x 2.5 - 3000 mm	stainless steel	4.450
1012273.000	Pipe ø 27 x 2.5 - 3000 mm	galvanized steel	

EXTERNAL ROD LATCHES - $\varnothing 27$ mm

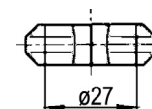
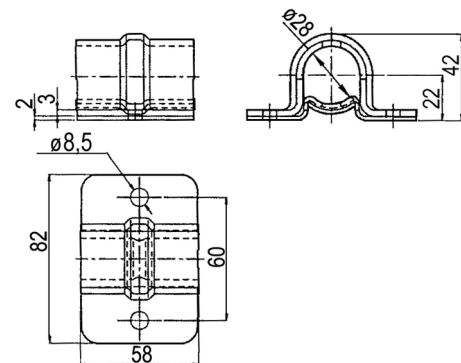
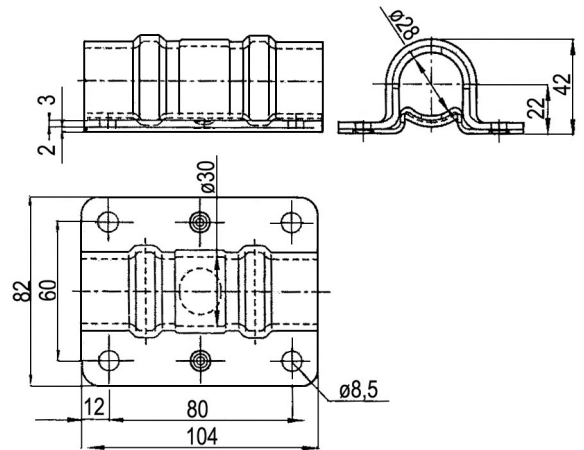
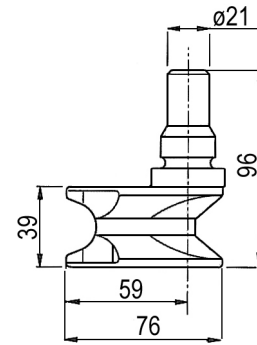
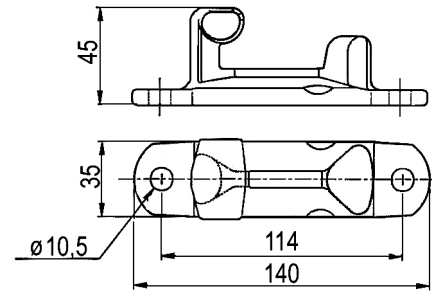
TT-number	Name	Material	Weight kg/pc
1011270.101	Holder	stainless steel	0.52
1012270.101	Holder	galvanized steel	

TT-number	Name	Material	Weight kg/pc
1011270.201	Hook	stainless steel	0.53
1012270.201	Hook	galvanized steel	

TT-number	Name	Material	Weight kg/pc
1011270.301	Large flange	stainless steel	0.44
1012270.301	Large flange	galvanized steel	

TT-number	Name	Material	Weight kg/pc
1011270.400	Small flange	stainless steel	0.250
1012270.400	Small flange	galvanized steel	

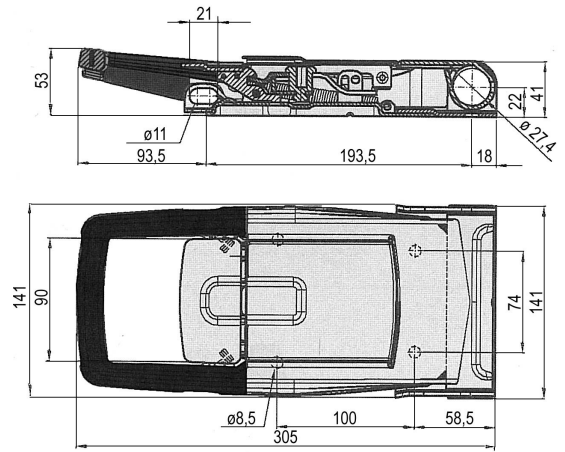
TT-number	Name	Material	Weight kg/pc
1011270.600	Insert	nylon	0.002



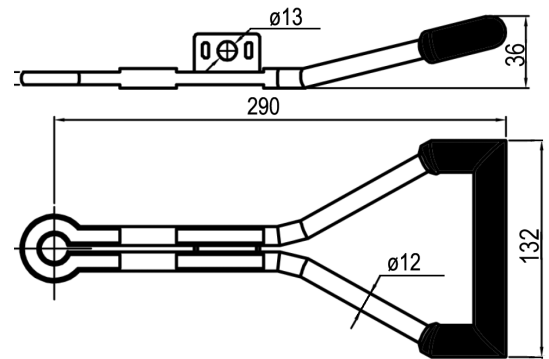
EXTERNAL ROD LATCHES - \varnothing 27 mm



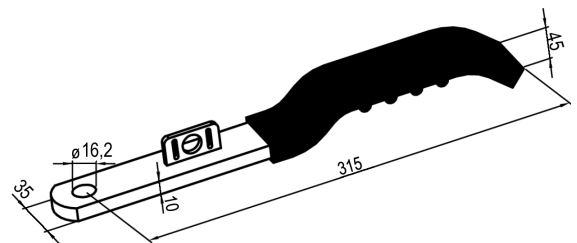
TT-number	Name	Material	Weight kg/pc
1011271.101	External latches \varnothing 27 mm - lockable	stainless steel	2.055

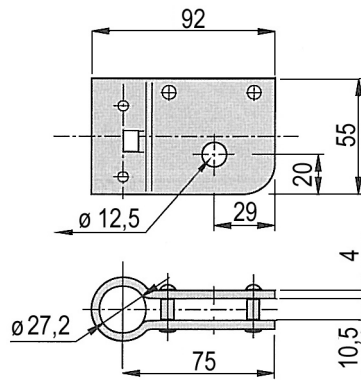


TT-number	Name	Material	Weight kg/pc
1011224.000	Lever DELTA	stainless steel	0.690
1012224.000	Lever DELTA	galvanized steel	

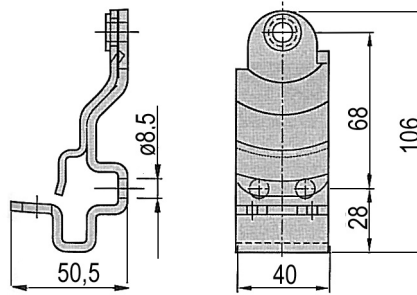
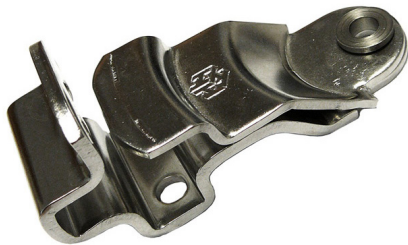


TT-number	Name	Material	Weight kg/pc
1011227.000	Flat lever with plastic	stainless steel	0.995
1012227.000	Flat lever with plastic	galvanized steel	

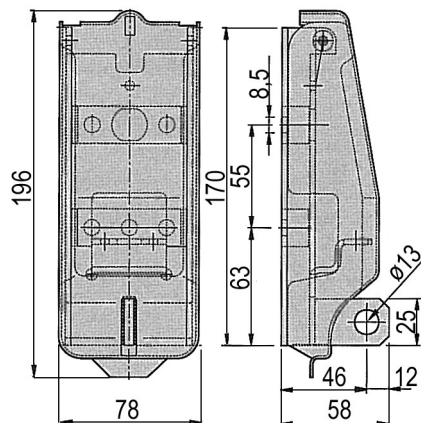


EXTERNAL ROD LATCHES - $\varnothing 27$ mm

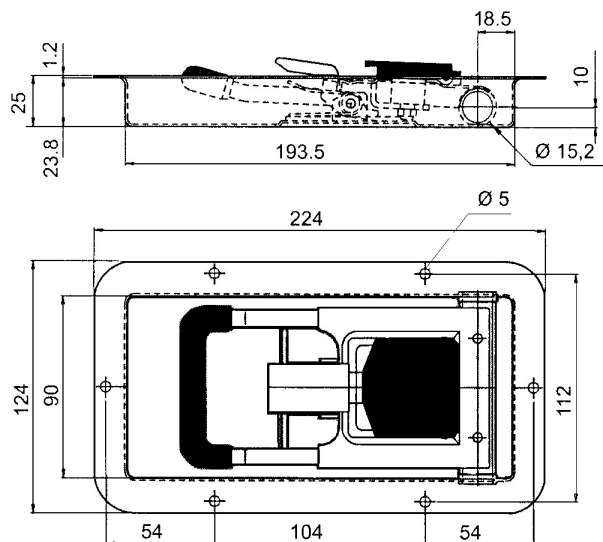
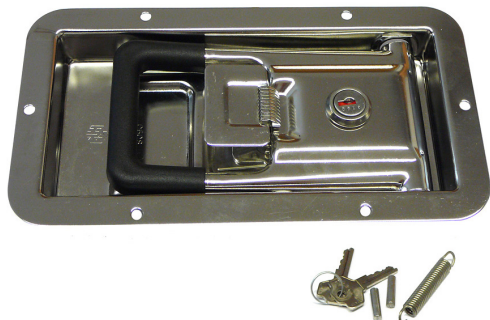
TT-number	Name	Material	Weight kg/pc
1011272.050	Pipe sleeve $\varnothing 27$	stainless steel	0.37
1012272.050	Pipe sleeve $\varnothing 27$	galvanized steel	



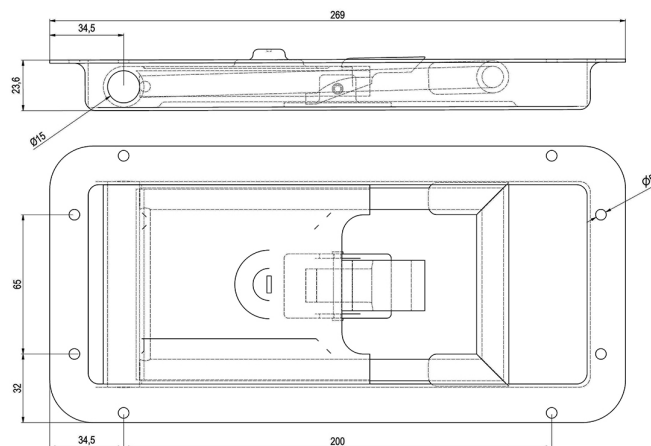
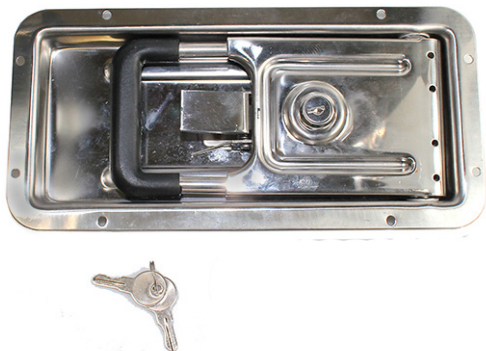
TT-number	Name	Material	Weight
1011228.100	Lever lock	stainless steel	0.25
1012228.100	Lever lock	galvanized steel	



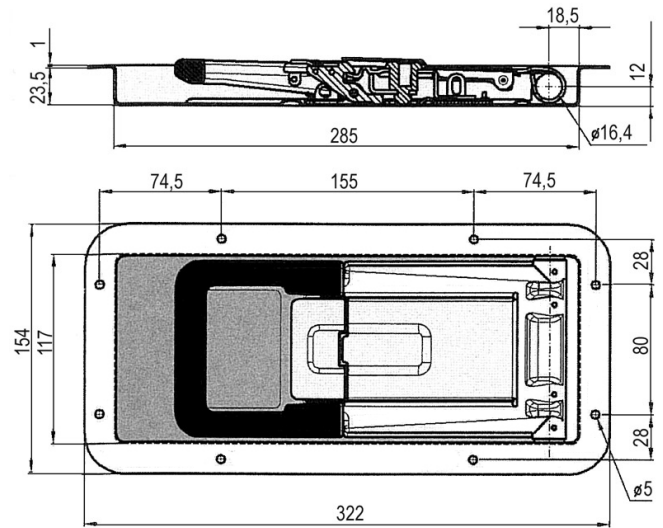
TT-number	Name	Material	Weight kg/pc
1011230.001	TIR lock	stainless steel	0.72
1012230.001	TIR lock	galvanized steel	



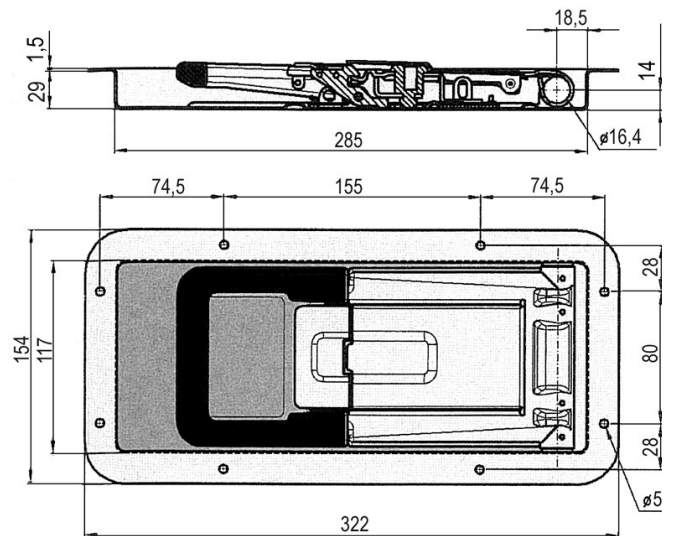
TT-number	Name	Material	Weight kg/pc
1021225.0001	Recessed latch 25 mm for rod \varnothing 15 mm	stainless steel	0.75
1021226.300	Stainless steel rod \varnothing 15 x 3000 tensile glossy	stainless steel	4.05



TT-number	Name	Material	Weight kg/pc
1021303.025	Recessed latch, stainless steel 25 mm	stainless steel	0.71

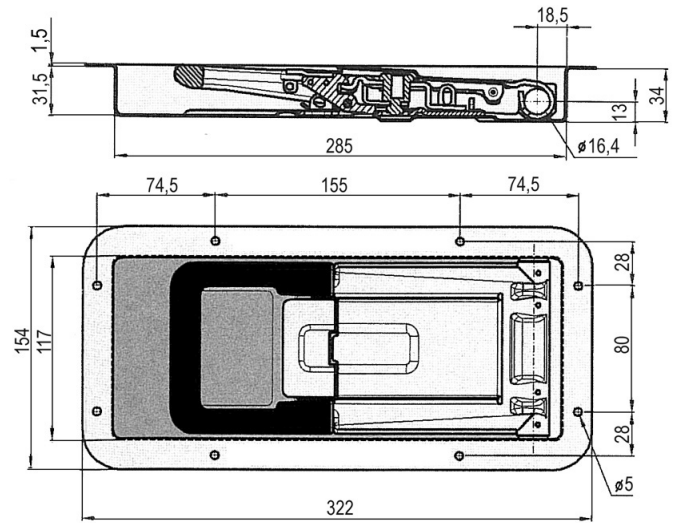
SWIVEL LATCH RECESSED - \varnothing 16 mm

TT-number	Name	Material	Weight kg/pc
1021301.023	Recessed latch 23.5 mm for rod \varnothing 16 mm	stainless steel	1.178



TT-number	Name	Material	Weight kg/pc
1021301.029	Recessed latch 29 mm for rod \varnothing 16 mm	stainless steel	1.25

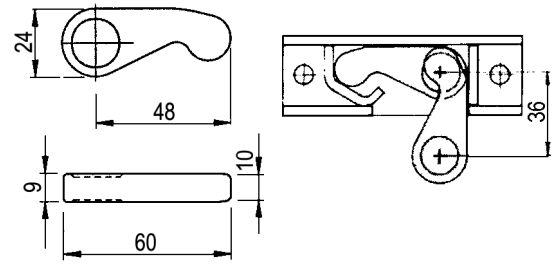
SWIVEL LATCHES RECESSED - \varnothing 16 mm



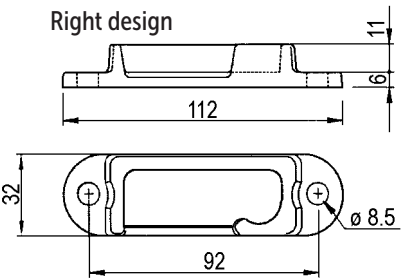
TT-number	Name	Material	Weight kg/pc
1021301.034	Recessed latch 34 mm for rod \varnothing 16 mm	stainless steel	1.26

SWIVEL LATCHES RECESSED - HOLDERS AND CAMS

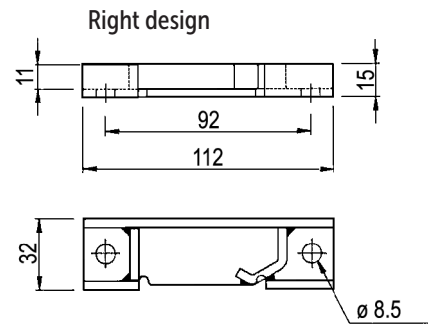
TT-number	Name	Material	Weight kg/pc
1021400.000	Cam	stainless steel	0.070



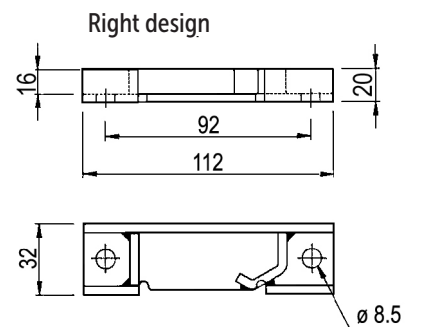
TT-number	Name	Material	Weight kg/pc
1021401.000	Forged holder - right	stainless steel	0.220
1021402.000	Forged holder - left		



TT-number	Name	Material	Weight kg/pc
1021405.000	Lower holder - right	stainless steel	0.175
1021406.000	Lower holder - left	stainless steel	

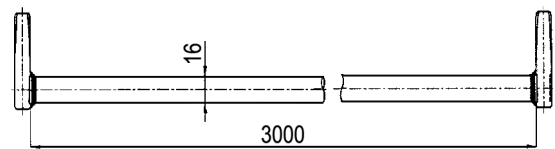


TT-number	Name	Material	Weight kg/pc
1021407.000	Holder - right	stainless steel	0.175
1021408.000	Holder - left	stainless steel	

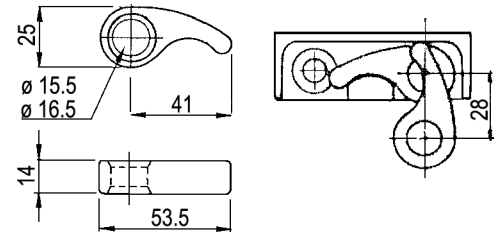


SWIVEL LATCHES RECESSED - HOLDERS AND CAMS

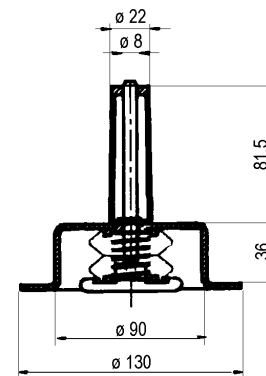
TT-number	Name	Material	Weight kg/pc
1011165.100	Rod with cam	stainless steel	4.25



TT-number	Name	Material	Weight kg/pc
1021510.000	Cam ø 15 mm	stainless steel	0.065
1021510.100	Cam ø 16 mm	stainless steel	0.065



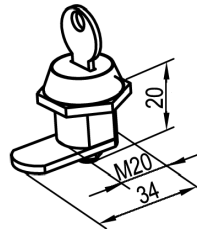
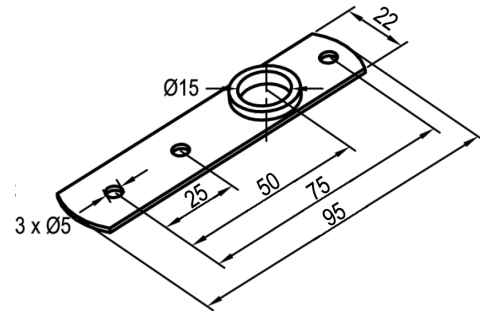
TT-number	Name	Weight kg/pc
1011650.000	Button to open the latch from inside the superstructure	0.15



SWIVEL CAPS RECESSED

Suitable for all types of swivel hooks

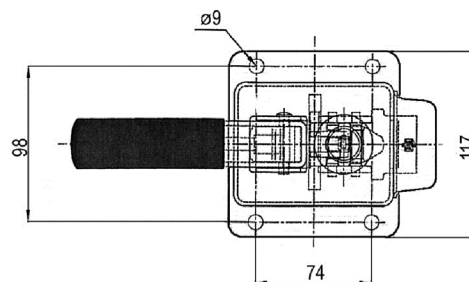
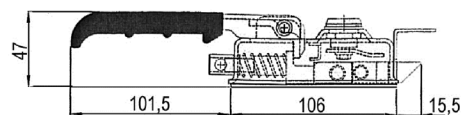
TT-number	Name	Material	Weight kg/pc
1022123.400	Swivel tube conduit	galvanized steel	0.045



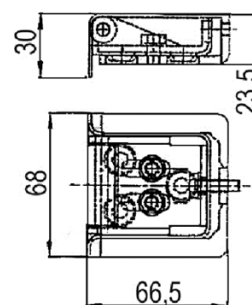
TT-number	Name
1021123.300	Lock insert / stainless steel



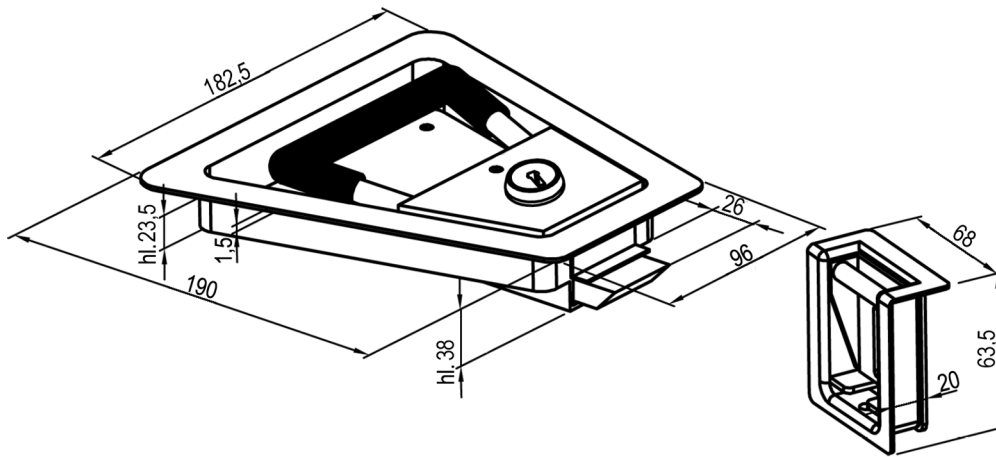
TT-number	Name	Material	Weight kg/pc
1031001.200	Latch complete with recessed counterpart	stainless steel	1.2



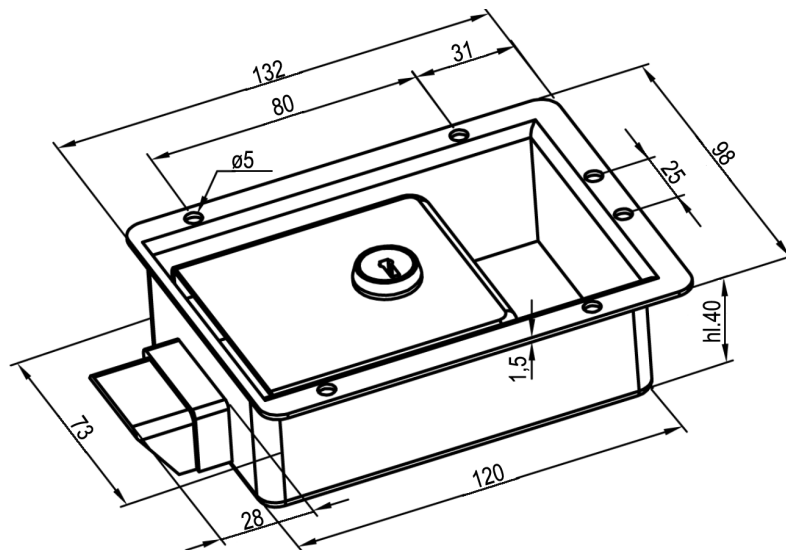
TT-number	Name	Material	Weight kg/pc
1031001.300	Built-in counterpart for latch 1031001.200	stainless steel	0.250



RATCHET LATCHES RECESSED



TT-number	Name	Material	Weight kg/pc
1031700.300	Recessed latch with counterpart - complete	stainless steel	1.400



TT-number	Name	Material	Weight kg/pc
1031701.000	Recessed ratchet latch with lock	stainless steel	0.735

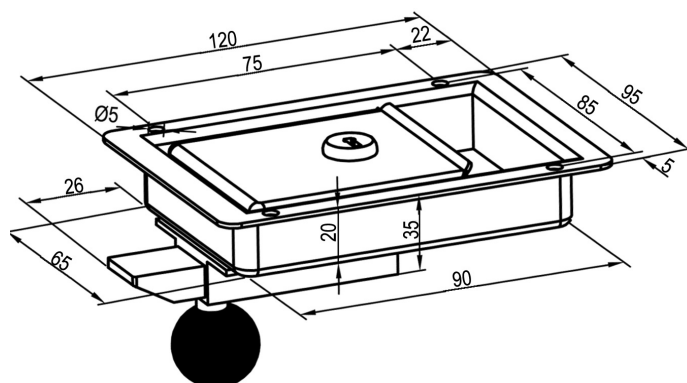
RATCHET LATCHES RECESSED

Recessed ratchet latch lockable with inside opening

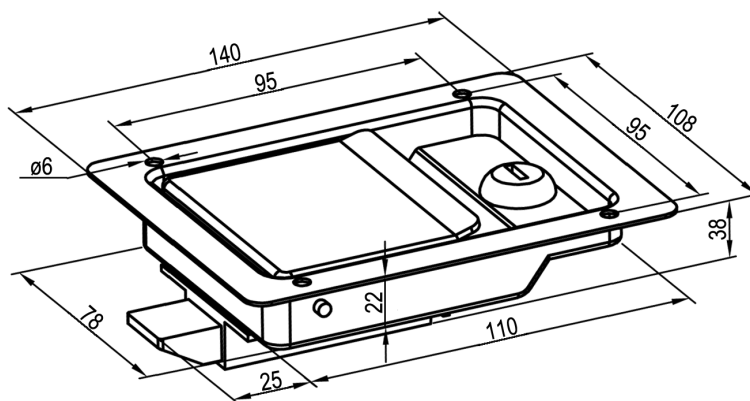
Lightweight ratchet latch for left and right doors.

The lock is in the opening plate.

The latch is equipped with a mechanism for opening from the inside.



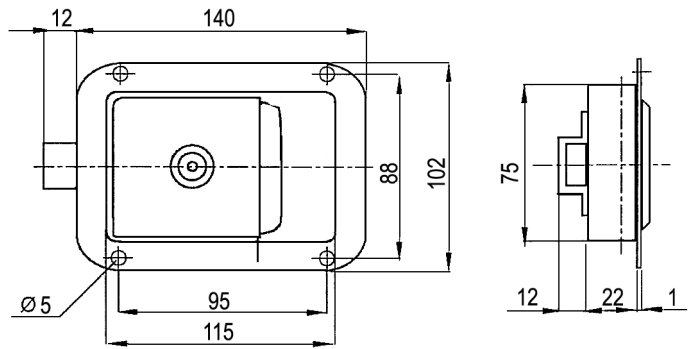
TT-number	Name	Material	Weight kg/pc	Key number
1031702.000	Recessed ratchet latch, lockable with opening from the inside		0.355	502
1031703.000				504
1031704.000				505
1031705.000				506
1031702.100				502
1031703.100	Replacement lock insert	stainless steel	0.040	504
1031704.100				505
1031705.100				506
1031702.200				502
1031703.200	Spare key		0.006	504
1031704.200				505
1031705.200				506



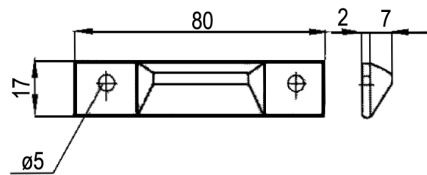
TT-number	Name	Material	Weight kg/pc	Key number
1031706.000	Recessed locking ratchet latch	stainless steel	0.530	502



RATCHET LATCHES RECESSED



TT-number	Name	Material	Weight kg/pc
1031732.000	Recessed lockable ratchet latch	stainless steel ratchet - nylon	0.44



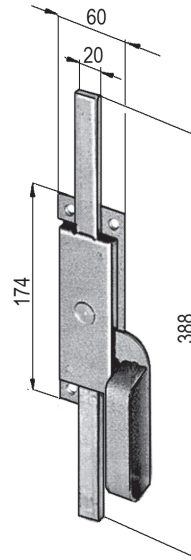
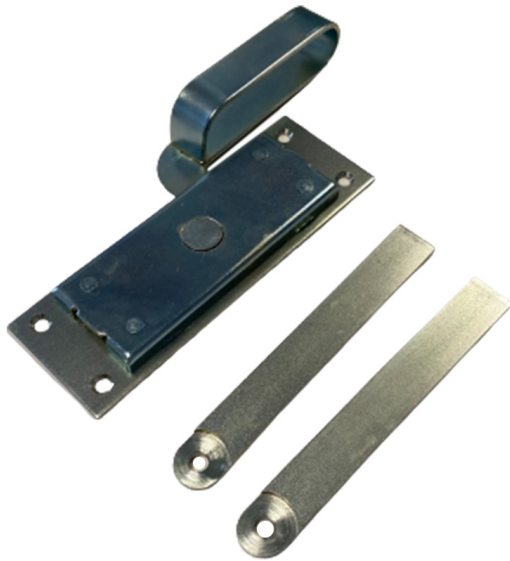
TT-number	Name	Material	Weight kg/pc
1031731.000	Counterpart for recessed lockable ratchet latch	stainless steel	0.02



TT-number	Name	Material	Weight kg/pc
1031732.100	Replacement lock for latch 1031732.000	stainless steel	0.045

Internal strut latch

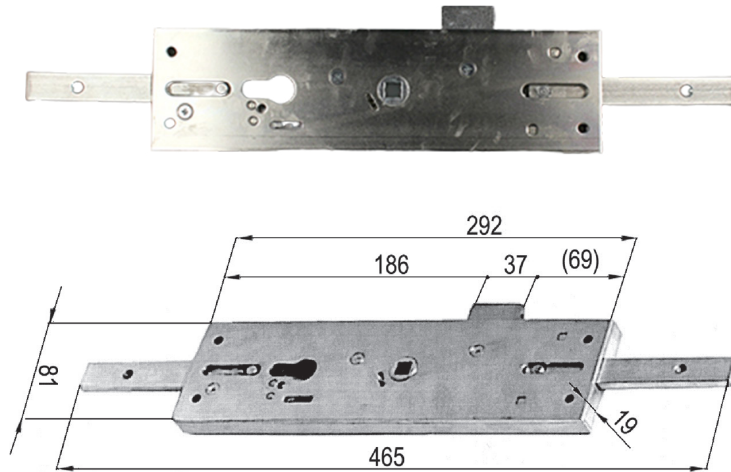
Right design



TT-number	Name	Material	Weight kg/pc
1031760.100	Strut latch left	galvanized steel	0.85
1031760.200	Strut latch right	galvanized steel	0.85



RECESSED RATCHET LATCHES - THREE-POINT LOCK



1031802.000

Right design

LEFT DESIGN

1031800.100

TT-number	Name	Material	Number of pieces / lock	Weight kg/pc
1031801.000	Three-point lock, left design	galvanized steel	1	1.9
1031803.000	Plug	galvanized steel	2	0.16
1031804.000	Ratchet	nylon	1	0.01
1031805.000	Conduit	galvanized steel	2	0.08
1031806.000	U-profile L = 3000 mm	galvanized steel	1	1.1
1031807.000	Lock		1	0.12
1031809.000	Bowl cap left	galvanized steel	1	0.55
1042003.100	PUR handle left	polyurethane	1	0.16
1042006.100	Internal handle PUR left	polyurethane	1	0.12

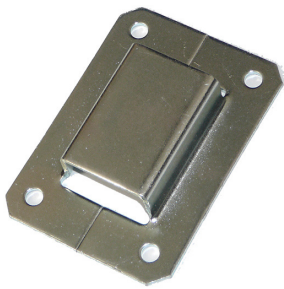
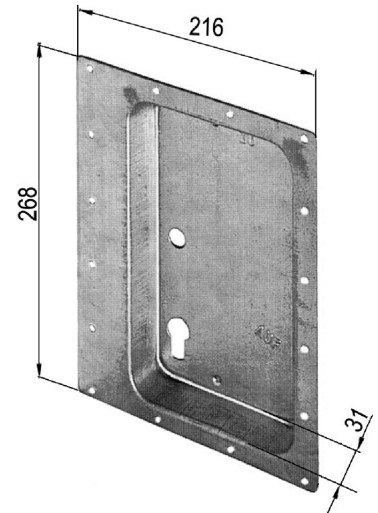
RIGHT DESIGN

1031800.200

TT-number	Name	Material	Number of pieces / lock	Weight kg/pc
1031802.000	Three-point lock, right design	galvanized steel	1	1.9
1031803.000	Plug	galvanized steel	2	0.16
1031804.000	Ratchet	nylon	1	0.01
1031805.000	Conduit	galvanized steel	2	0.08
1031806.000	U-profile L = 3000 mm	galvanized steel	1	1.1
1031807.000	Lock		1	0.12
1031810.000	Bowl latch right	galvanized steel	1	0.55
1042003.200	PUR handle right	polyurethane	1	0.16
1042006.200	Internal PUR handle right	polyurethane	1	0.12

RECESSED RATCHET LATCHES - THREE-POINT LOCK

1031810.000
Right design
Built-in space 235 x 138 x 31 mm



1031805.000



1031804.000



1031803.000



1042003.200 - right



1042006.200 - right

RECESSED RATCHET LATCHES - THREE-POINT LOCK

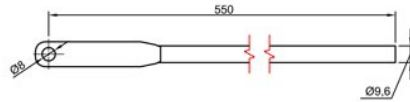
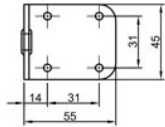
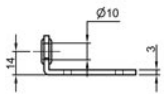
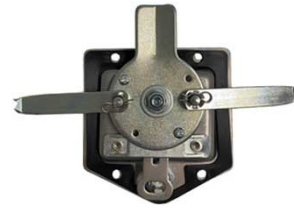
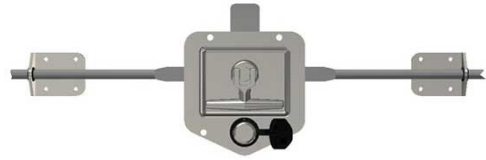
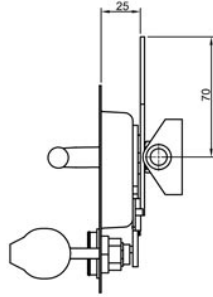
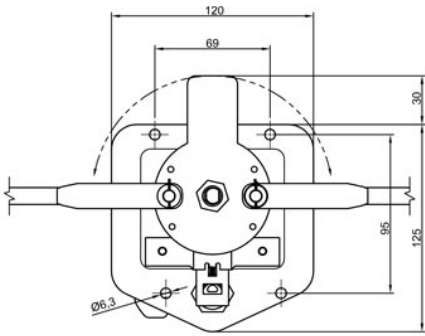
1031800.000

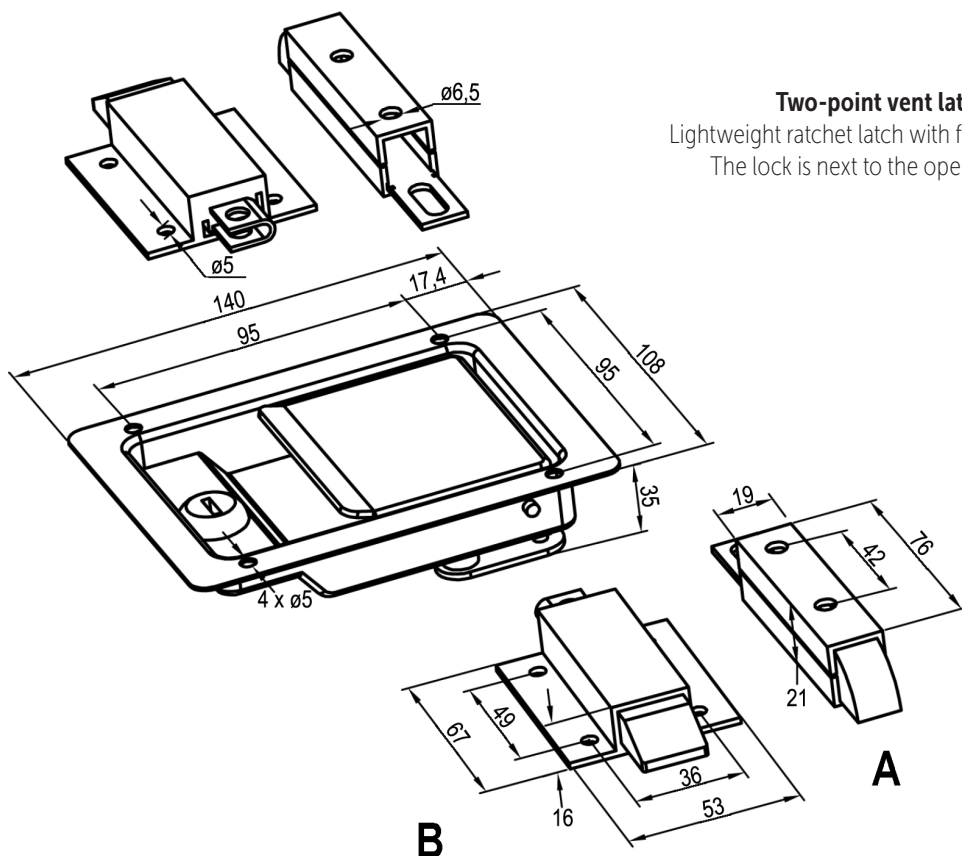
3-point lock

Material: STAINLESS STEEL

Dimensions: 120/125/25 mm

Depth: 25 mm





Two-point vent latch
 Lightweight ratchet latch with flexible latches
 The lock is next to the opening plate

TT-number	Name	Material	Weight kg/pc	Key number
1031707.000	Ratchet latch		1.390	502
1031708.000				504
1031709.000				505
1031710.000				506
1031702.100				Replacement lock insert
1031703.100	504			
1031704.100	505			
1031705.100	506			
1031702.200	Spare key		0.006	502
1031703.200				504
1031704.200				505
1031705.200				506

TT-number	Name	Material	Weight kg/pc	Position
1032711.000	Flexible ratchet	galvanized steel	0.18	A
1032712.000	Flexible ratchet		0.20	B

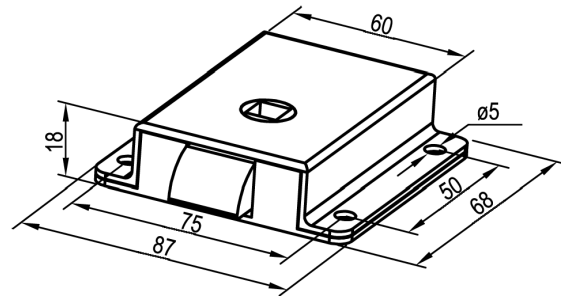
TT-number	Name	Material	Weight kg/pc
1032713.000	Pull rod 760 mm	galvanized steel	0.100

RATCHET LATCHES RECESSED

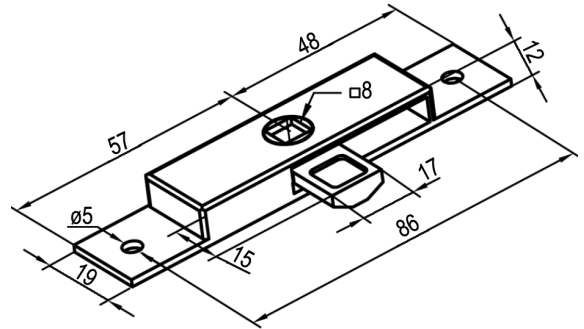
Ratchet latch

Can be used as left and right for 8 mm square mandrel or for through-going square shaped handles.
Without lock

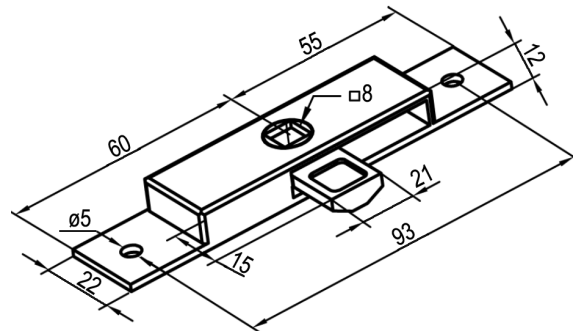
TT-number	Name	Material	Weight kg/pc
1032800.000	Ratchet latch	galvanized steel	0.285



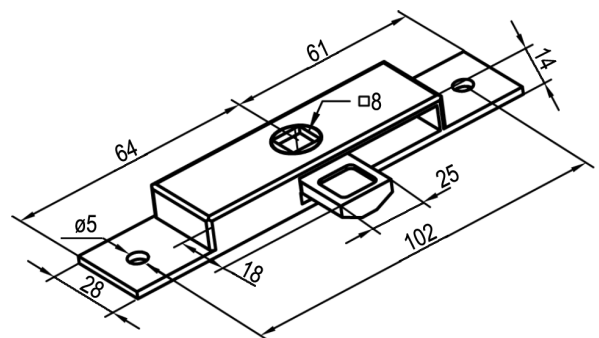
TT-number	Name	Material	Weight kg/pc
1032802.000	Latch without lock	steel, yellow galvanized	0.080



TT-number	Name	Material	Weight kg/pc
1032803.000	Latch without lock	steel, yellow galvanized	0.110



TT-number	Name	Material	Weight kg/pc
1032804.000	Latch without lock	steel, yellow galvanized	0.175



TT-number	Name	Material	Weight kg/pc
1032805.000	Key 8 mm	steel, galvanized	0.070

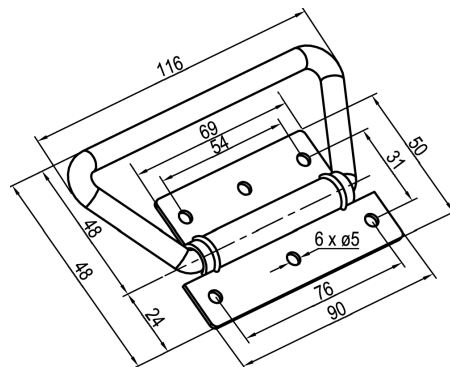
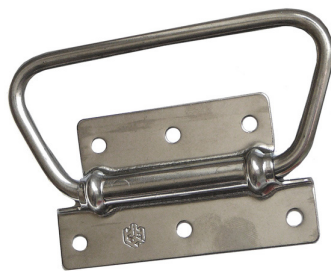


1041001.000

Folding handle with screw-in plate

Material: stainless steel, polished

Weight: 0.15 kg/pc



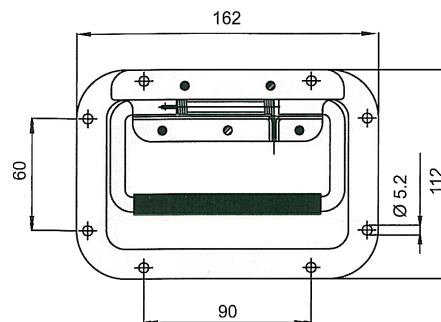
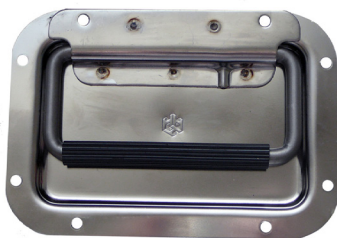
1041002.000

Handle recessed

Dimensions 162 x 112 x 10 mm

Material: stainless steel, polished

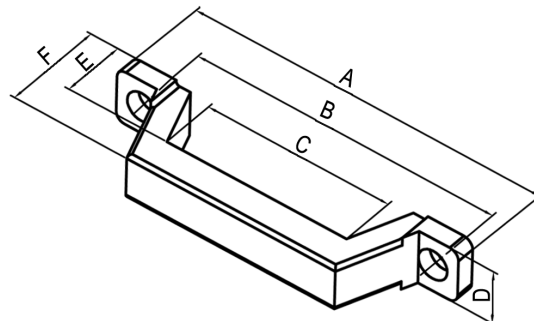
Weight: 0.44 kg/pc



Plastic handle with steel reinforcement

Application: door handle, covers, flaps, bonnets on vehicles, aggregates, machines, in freezers and other facilities.

Material: black plastic



TT-number		Dimension
1041003.000	1041004.000	
190	280	A
160	250	B
100	175	C
30	30	D
32	35	E
50	55	F

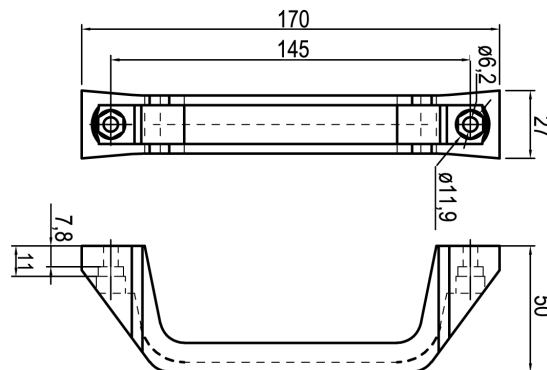
1041005.000

Plastic handle

Application: especially for sliding doors, sliding walls, swing doors, hinged walls, partition walls, flaps.

Material: plastic, colour black

Weight: approx. 0.075 kg



HANDLES

1041006.000

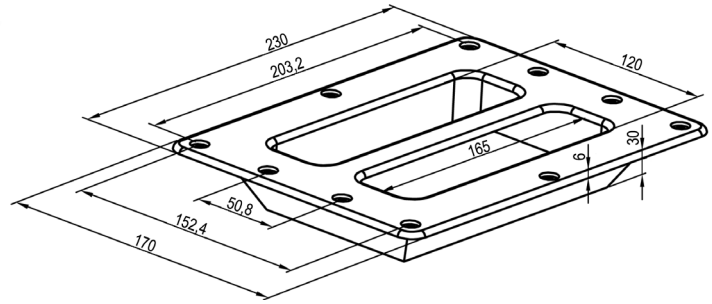
Plastic recessed handle with steel reinforcement

Application: for sliding doors, sliding walls, swing doors, hinged walls, partition walls, flaps, lids, cabinets and doors. It can also be used as a carrying handle. Frame and handle reinforcement is made of galvanized steel sheet metal.

Fastened with 10 screws \varnothing 5 mm.

Material: polyurethane blend, colour black

Weight: approx. 0.375 kg

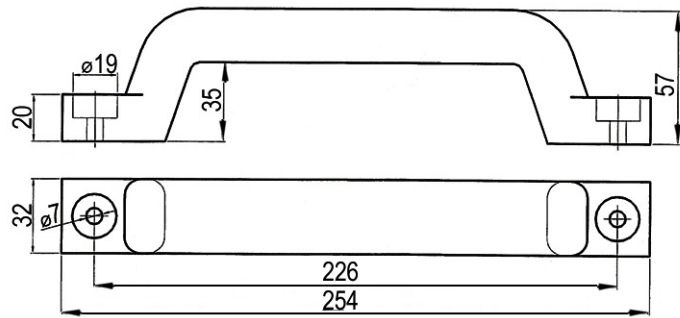


1041012.000

Plastic handle L = 254 mm

Material: plastic, colour black

Weight: 0.15 kg/pc



1041013.000

Plastic handle L = 245 mm

Material: plastic, colour black

Weight: 0.04 kg/pc

